

Mounting Enclosures (Back Boxes)



56E Series

All Clipsal Mounting Back Boxes are moulded in UV stabilised rigid PVC to facilitate glueing of fittings for conduit entry.

Ample conduit and cable entries are provided and there is plenty of wiring room for easy installation.

All screwed conduit entries are provided with plugs. The multigang enclosures feature moulded bridges between modules to ensure switches and sockets sit flush on a continuous surface. Moulded dividers are also available for multigang boxes to segregate services and are standard with 4, 6, 8, 9 and 16 gang enclosures.

Each enclosure has a number of mounting points and 220/10 Sealing Plugs are provided to double insulate mounting screw heads and ensure the IP rating.

Moulded gaskets are supplied with switch and socket modules.

Options Available

- Resistant Orange - Add RO to Catalogue Number e.g. 56E2 becomes 56E2,RO.
- Resistant White - Add RW to Catalogue Number e.g. 56E2 becomes 56E2,RW.
- Chemical Grey - Add CG to Catalogue Number e.g. 56E2 becomes 56E2,CG.

Mounting Accessories

- Stainless steel pole mounting bracket kit to suit 56E2, 56E3 and 56E4VH Modules. Catalogue No. 56PMK.
- Stainless steel mounting feet suit all enclosures. Catalogue Number 56MF.



56B, 56DV

Bridges and Dividers

56 Series Bridges (56B) suits 56E Series Mounting Enclosures and provide a continuous flat surface for socket and switch modules in multigang enclosures, thereby ensuring sealing.

56 Series Dividers (56DV) for segregated services in 56E Enclosures.

Anti Corrosion Enclosure Screws

These stainless steel screws are 32mm long M3.5 x 0.8 / 6NC to suit 56E Series Enclosures.

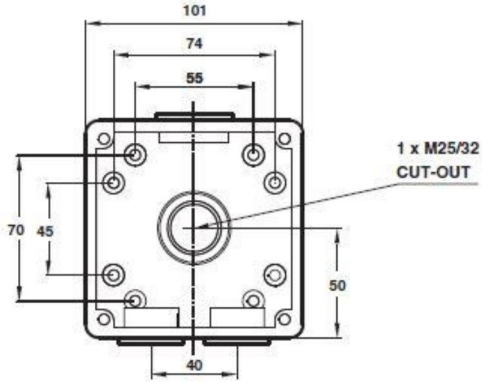


56EV2

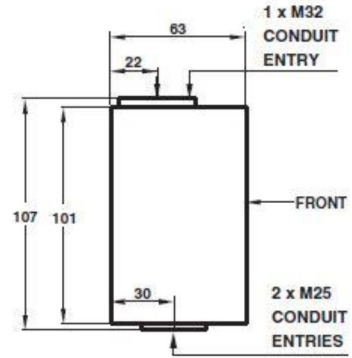
Currently used in application throughout major supermarkets nationally.

Catalogue Number	No. of Gangs	O/A Dims. (H) x (W) x (D)	Mounting Points	No. of Conduit Entries (mm)	Cut-Out Provision (mm)
56E1	1	63x101x101	8	2x25, 1x32	1x25/32
56ES1	1 Shallow	38x101x101	4	1x25, 1x20	1x20/25
56E2	2	63x101x198	8	2x25, 1x32	1x25, 1x32
56ED2	2 Deep	100x101x198	8	2x40	1x25, 1x32
56ES2	2 Shallow	38x101x198	4	1x25, 2x20	2x20/25
56EV2	2 Vert. Mount	110x101x145		1x25	
56EV2/225	2 Vert. Mount	110x101x145		2x25	
56EV2/32	2 Vert. Mount	110x101x145		1x32	
56E3	3	294x101x63	16	2x25, 1x32	2x25, 1x32
56E4	4	63x198x198	16	2x25, 2x32	2x25, 1x32, 1x40
56E4VH	4 In Line	63x101x391	16	2x25, 1x32	2x25, 1x32, 1x40
56E6	6	63x198x294	24	2x25, 2x32	2x25, 2x32, 2x40
56E8	8	63x198x391	28	2x25, 2x32	4x25, 2x32, 2x40
56E8SB 2 Pillars Removed	8	391x198x63	28	2x25, 2x32	4x25, 2x32, 2x40
56E9	9	391x198x63	28	3x25, 3x32	4x32, 2x32, 2x40
56E9SB 2 Pillars Removed	9	63x294x294	28	3x25, 3x32	4x32, 2x32, 2x40
56E16	16	63x391x391	48	2x25, 2x32	6x25, 6x32, 4x40

56E1

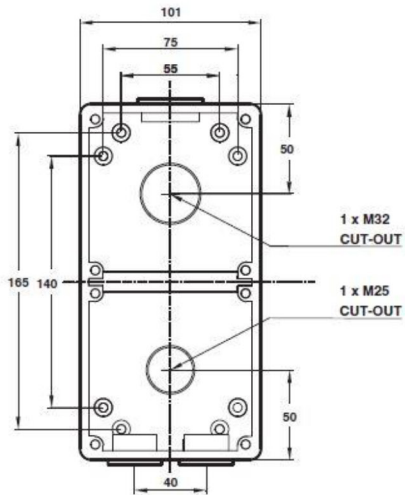


FRONT MOUNTING ENCLOSURE

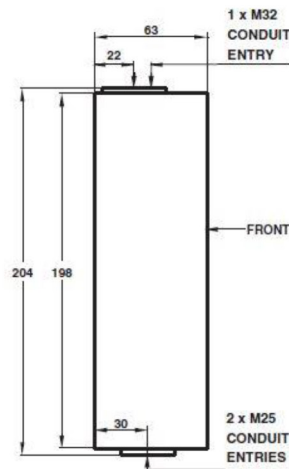


SIDE COMPLETE

56E2



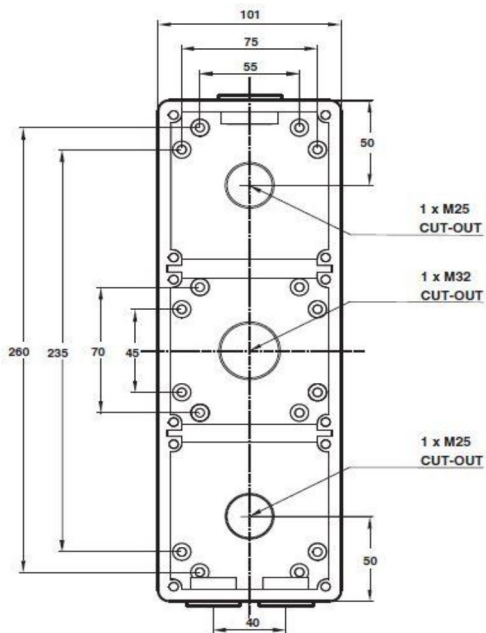
FRONT MOUNTING ENCLOSURE



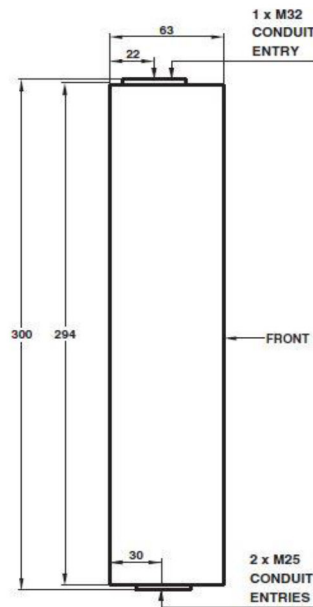
SIDE COMPLETE

ONE 56B BRIDGE PROVIDED

56E3



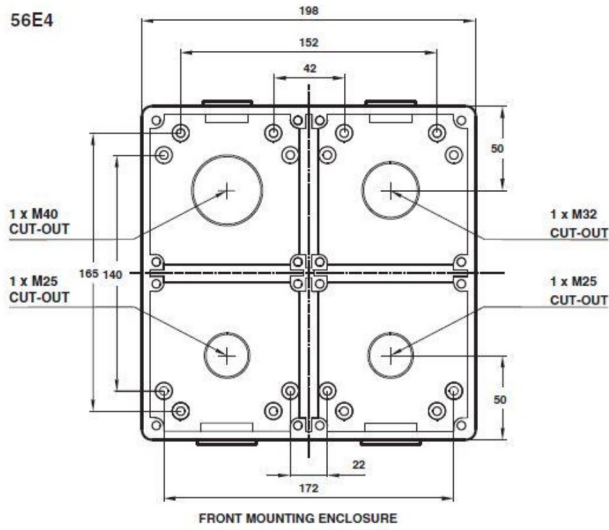
FRONT MOUNTING ENCLOSURE



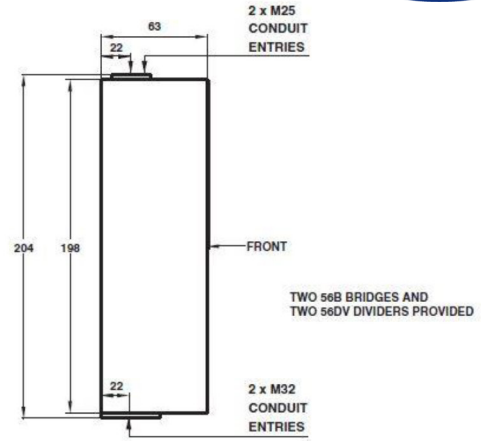
SIDE COMPLETE

TWO 56B BRIDGES PROVIDED

56E4

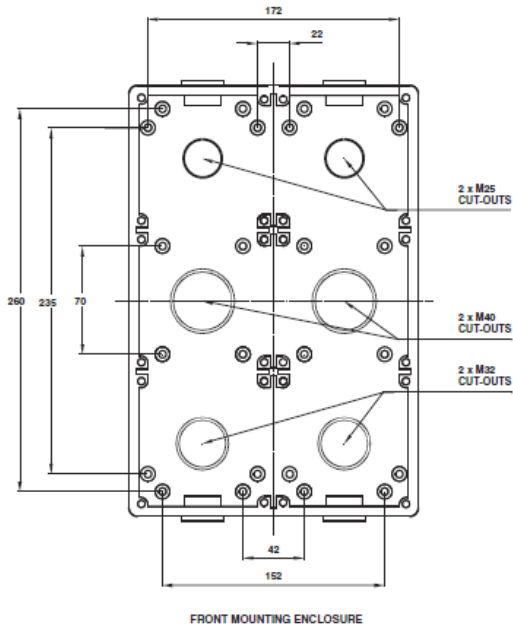


FRONT MOUNTING ENCLOSURE

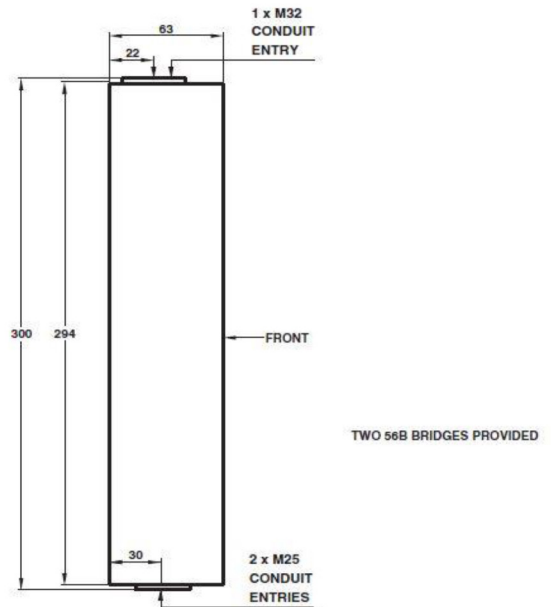


SIDE COMPLETE

56E4



FRONT MOUNTING ENCLOSURE



SIDE COMPLETE